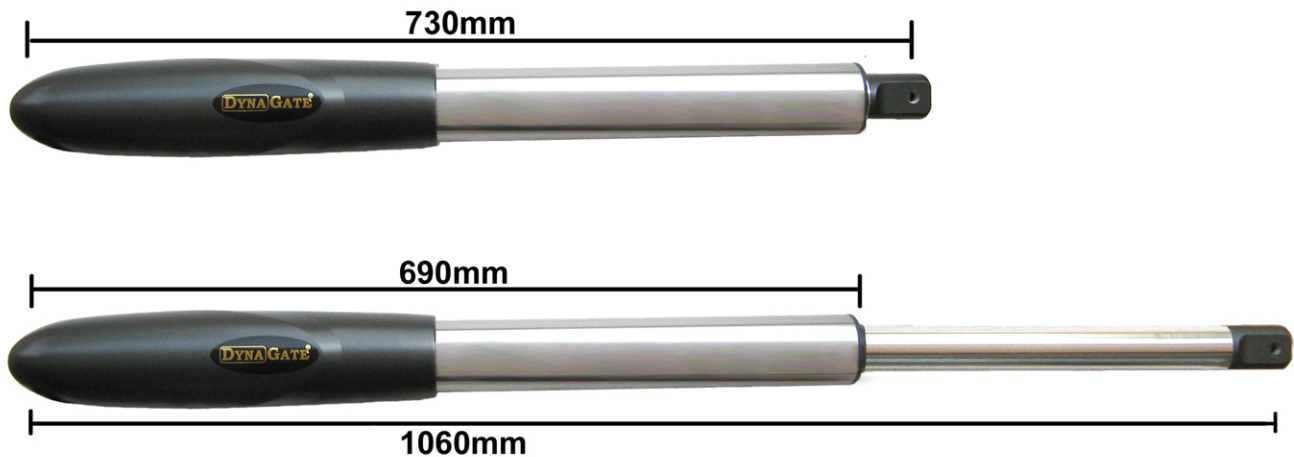


Model: Dyna 720



Specification for arm motor DYNA720

Driving method:	Screw driven piston
Main supply :	220V dc, 50Hz
Operation Voltage: Normal speed	DC24V
Cushioning speed	DC12V
Max. output power :	80W per driver
Max. piston stroke:	30cm
Max. piston speed:	3cm/sec
Operating cycle:	10 sec per 90 (approx.)
Max. single-leaf weight:	300kg per wing
Max. single-leaf length:	2.1 meter (7 feet)
DSPS device:	Electronic Timing Tracker
Gearbox:	Planetary gear
Safety clutch:	Electronic current sensing
Operating temperature:	-20°C to +80°C
Motor self-locking system:	Yes
Safety barrier:	Infrared sensor (optional)
Dimension: fully close	770 mm
fully extended	1100 mm
Weight:	5.25 kg

Specification for control panel

Primary operating voltage :	240VAC
Transformer output:	12-9-0-9-12 VDC
Electronic controller:	Microcomputer based with overload cut and timer feature
Back-up battery :	12V 5.2 or 7.0 AH
Lock output :	12 VDC solenoid lockset (optional)
Door opening option :	1 side or 2 sides
Half-way stop:	Yes

Radio receiver

Remote controller :	UHF digital PWM type
----------------------------	-----------------------------